



TECHNICAL DATA:

General data

Stroke length	Up to 1000mm
Installation dimension (A)	= Stroke + 200mm
Standard stroke lengths	100; 150; 200; 250; 300; 350; 400; 500; 600; 700; 800; 900 und 1000 mm
Special stroke lengths / installation lengths	Customized possible upon request
Installation position	any position, considering the max. moment load
Lifting force	up to 10'000 N push / up to 4000N pull (depending on gear ratio and spindle pitch)
Lifting speed	Up to 29 mm/s (depending on load / spindle)
Protection type	IP 40
Operating voltage	12 VDC ($\pm 20\%$, max. 25 A)** 24 VDC ($\pm 20\%$, max. 24 A)**
Ambient temperature	-10 °C to +80 °C
Operating temperature	-5 °C to +60 °C
Self-locking effect	Yes (standard versions)
Moment load (dynamic)	Mmax. 450 Nm
Operating mode / duty cycle	ED 20% Int. 2 min./ 8 min. (at nominal load and operating temperature +5°C to +40°C)
Maintenance	Maintenancefree
Colour	Aluminum anodized / other colors on request
Electrical connection	M12, M12 signal (3m, 5m, 10m)
Control options	Manual switch / PLC / CANopen

* Availability on request

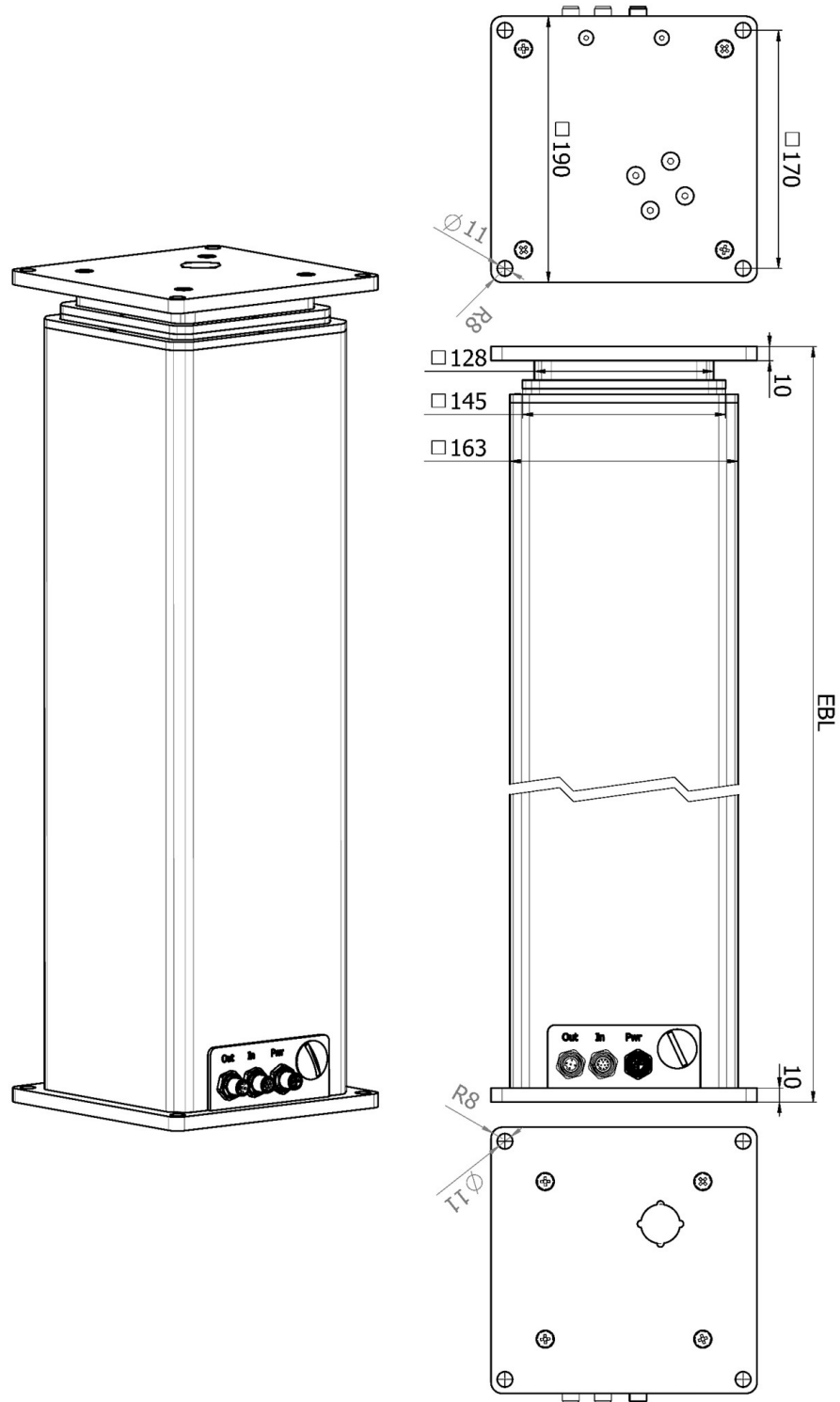
** Measured current at room temperature and nominal voltage

TECHNICAL DATA:

More data

Control / regulation	Programmable start / stop ramps Speed control Configurable speed Manual switch PLC CANopen
Position feedback	End bearing feedback Absolute displacement measuring system Position feedback analog Position signal query Communication interface
Internal protection mechanism	Power shutdown Temperature monitoring

TECHNICAL DRAWING:



Stroke length (mm)	100	150	200	250	300	350	400	500	600	700	800	900	1000
Installation length (mm)	300	350	400	450	500	550	600	700	800	900	1000	1100	1200

PERFORMANCE DATA:

